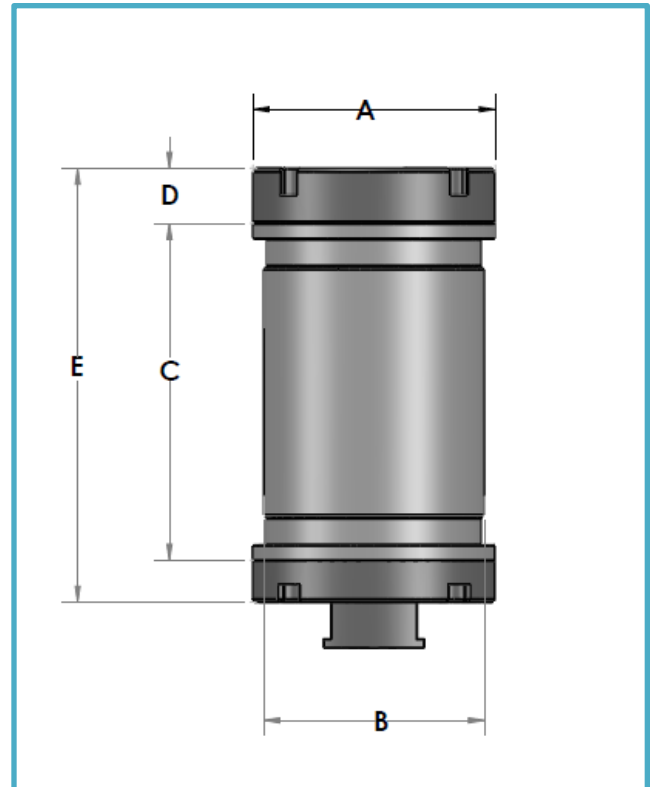
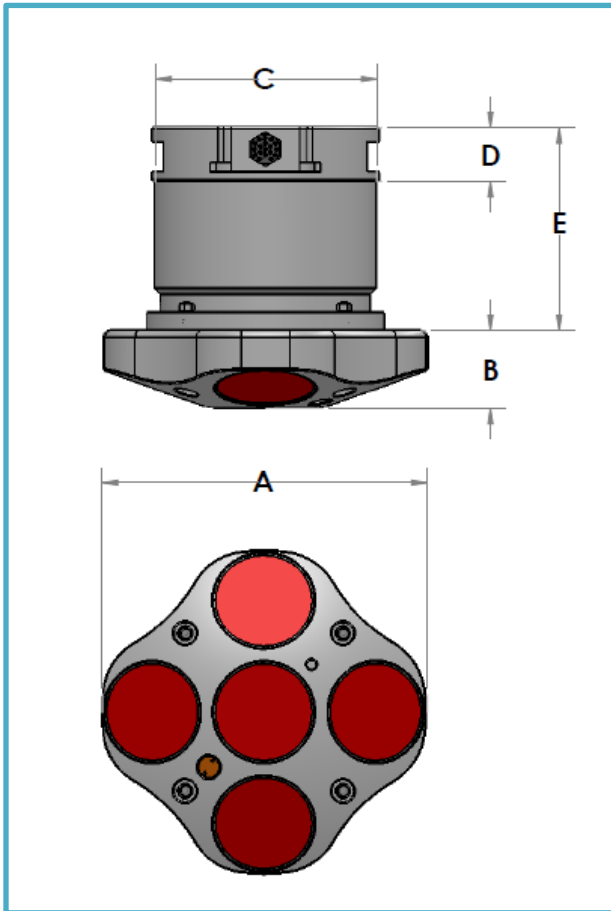




DESCRIPTION: OUTLINE DRAWING OF 3 INCH TRANSDUCERS 5 BEAM SYSTEM.



Face view and Side view of 5 beam system. Size of each transducer is 3 inches

Side view of the External battery pack. Table of Mechanical Dimensions is given below.

5 Beam System Direct Read System						
	PRESSURE RATING	HEAD		HOUSING		
		DIAMETER (A)	THICKNESS (B)	DIAMETER (C)	FLANGE HEIGHT (D)	TOTAL HEIGHT (E)
	300 m	10.86"/276mm	2.60"/66mm	7.40"/188mm	1.80"/46mm	6.80"/173mm
	3000 m	10.86"/276mm	2.60"/66mm	7.40"/188mm	1.80"/46mm	6.80"/173mm
	6000 m	10.86"/276mm	2.60"/66mm	7.90"/201mm	1.80"/46mm	7.30"/185mm



DESCRIPTION: OUTLINE DRAWING OF 3 INCH TRANSDUCERS 5 BEAM SYSTEM.

Self Contained System BATTERY PACK ATTACHMENTS

PRESSURE RATING 3000m	END CAP DIAMETER (A)	HOUSING CENTER DIAMETER (B)	BATTERY PACK HOUSING HEIGHT (C)	BATTERY PACK END CAP DIAMETER (D)	BATTERY PACK TOTAL HEIGHT (E)
1 BATTERY PACK	7.90"/201mm	7.40"/188 mm	6.50"/165mm	1.80"/46mm	9.65"/245mm
2 BATTERY PACKS	7.90"/201mm	7.40"/188mm	11.00"/279mm	1.80"/46mm	14.15"/359mm
4 BATTERY PACKS	7.90"/201 mm	7.240"/188mm	2100"/533mm	1.80"/46mm	24.15"/613mm

PRESSURE RATING 6000m	END CAP DIAMETER (A)	HOUSING CENTER DIAMETER (B)	BATTERY PACK HOUSING HEIGHT (C)	BATTERY PACK END CAP DIAMETER (D)	BATTERY PACK TOTAL HEIGHT (E)
1 BATTERY PACK	7.90"/201mm	7.95"/202mm	6.50"/165mm	1.80"/46mm	9.65"/245mm
2 BATTERY PACKS	7.90"/201mm	7.95"/202mm	11.00"/279mm	1.80"/46mm	14.15"/359mm
4 BATTERY PACKS	7.90"/201mm	7.95"/202mm	2100"/533mm	1.80"/46mm	24.15"/613mm